

# Objecta - Toilet Seat

This commercial grade project toilet seat from Pressalit is a universal design, compatible with almost all sanitary brands. Objecta is the optimum choice when looking for quality and affordability combined in a single product.

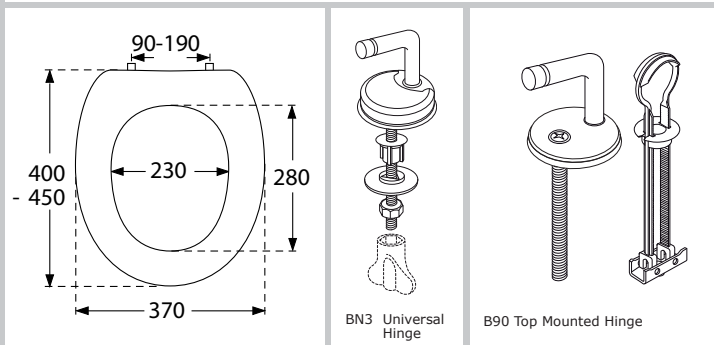


It is orientated towards commercial use in the following environments:

- Hospital
- Health
- Education
- Retirement Villages
- Detention
- Office blocks

As with other Pressalit toilet seats, these features are standard with the Objecta:

- Easy to clean high-density Duroplast finish
- Strong stainless steel hinges with hygienic design profiles
- Certification to a maximum weight loading of 240kg
- 10 year guarantee



Available in white, the Objecta is the perfect companion with today's modern sanitaryware styles, and blends comfortably in all building environments.



*Seats for your senses*

#### Product Code

|             |  |
|-------------|--|
| EP-54000BN3 | Double flap (with lid) and universal hinges                  |
| EP-53000BN3 | Single flap (seat only) with universal hinges                |
| EP-54000B90 | Double flap (with lid) with blind fixing/top mounted hinges  |
| EP-53000B90 | Single flap (seat only) with blind fixing/top mounted hinges |

#### BN3 Universal hinges

Can be securely fixed to any toilet pan that allows external hinge access.

#### B90 Top mounted hinges

Ideal for most concealed/wall faced toilet pans including the "Leda" range

 **caredesign**  
specialist interiors

Ph 1300 798 744 Fax 1300 793 644

PO Box 2129 Taren Point NSW 2229

info@caredesign.com.au www.caredesign.com.au