

# Toilet seats

The Pressalit Care toilet seats are extra-strong and based on ergonomics to meet the various requirements of the users. That is why we have several models. All the models fit the most common toilet bowls.



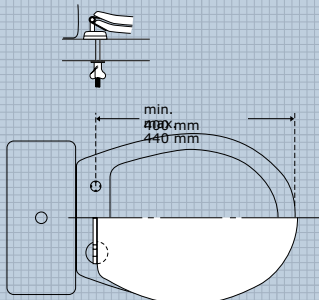
Dania: The seat for most people. A comfortable, ergonomically designed seat.

## Functions

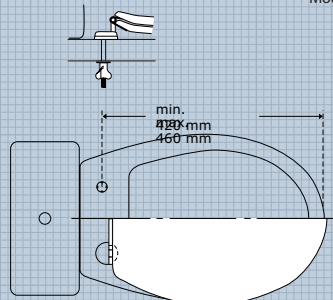
- ① Hinges. In order to increase stability, we recommend mounting Dania and Colani with a public-use hinge with crossbar B84.
- ② Stabilising buffer. The special stabilising buffer ensures that the seat sits securely on the toilet bowl – even with sideways pressure, as experienced with transfer to and from a wheelchair. It can be adjusted so that contact with the bowl can be made on the inside or outside, depending on the shape of the bowl.



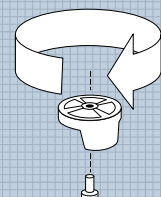
Mounting: Hinge, A position



Mounting: Hinge, B position



Mounting: Stabilising buffer



Materials: Duroplast, polyurethane foam, plastics, stainless steel

Maximum weight: Dania, Ergosit, Colani: 250 kg.  
SoftSit: 200 kg

Distributed in Australia by Caredesign phone 1300 798 744



Dania

Dania without cover **R27xxx**

Dania with cover **R37xxx**

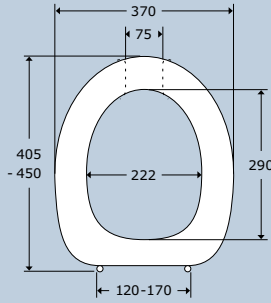
Dania without cover, open front **R28000**

Dania with cover, open front **R38000**

An ergonomically designed seat that is well suited to most people. Sideways transfer is easy because the seat is rather flat. The cover is comfortable to sit on, and when set upright it gives good support to the back. Dania also comes with an open front, which makes it suitable as a bidet seat, with easy access for a handheld shower-head. Well suited to hospitals, as most bedpans fit into the bowl while the handle is placed in the open front.

Supplied with universal hinge B82/B83.

Also available with public-use hinge B84 and anti-vandalism hinge B85.



Ergosit

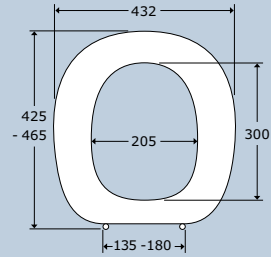
Ergosit without cover **R29000**

Ergosit with cover **R30000**

Large, wide sitting surface with good support. Especially well suited to "large" adults with digestive problems. The bowels are stimulated by the seat's contoured surface that presses and acts on the thigh muscles and nerves. Grooves at the back prevent adhesion.

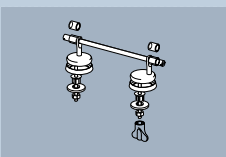
Supplied with public-use hinge B84.

Also available with anti-vandalism hinge B85.



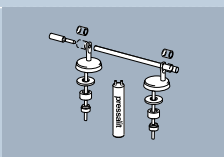
Accessory products for toilet seats

**B84999**



Public-use hinge:  
Mounted with crossbar for extra strength in areas of extreme use.  
Recommended for Dania and Colani. Stainless steel.

**B85999**



Anti-vandalism hinge:  
Recommended for mounting on public toilets. Stainless steel.

- 000 White
- 035 Red RAL3003
- 108 Dark blue RAL5011
- 120 Star white

- 013 Bahama beige
- 052 Manhattan
- 273 Pergamon

Dania R27 and R37 are available in the colours listed. The other toilet seats come in white.



# Raised toilet seats

Going to the toilet is something that we do many times a day, so it should not be associated with insurmountable difficulties. The height of the toilet can be important in this regard. Many people – often elderly people – have difficulty sitting down and standing up from toilets of normal height. A raised version of our toilet seats and an adjustable height bracket for toilets are available for this reason.

Dania: Slanted. With 100 mm rear elevation and 50 mm frontal elevation.

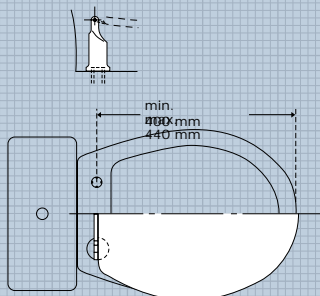


## Functions

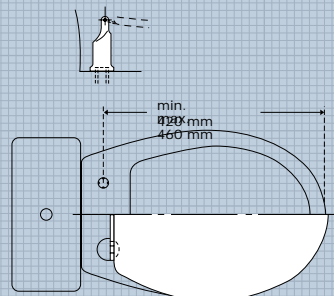
- ① Hinges: Wear resistant, easy to clean hinges.
- ② Stabilising buffer: Ensures that the seat sits securely on the toilet bowl – even with sideways pressure, as experienced with transfer to and from a wheelchair. It can be adjusted so that contact with the bowl can be made on the inside or outside, depending on the shape of the bowl.



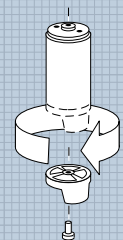
Mounting: Hinge, A position



Mounting: Hinge, B position



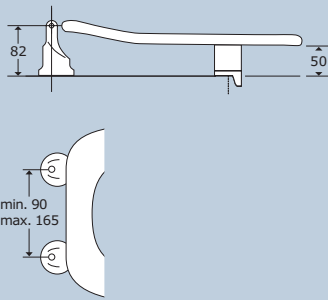
Mounting: Stabilising buffer



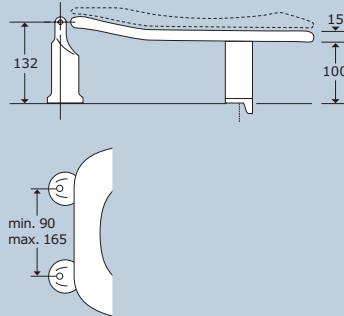
Materials: Duroplast, polyurethane foam, plastics, stainless steel, Rilsan-coated steel  
 Maximum weight: 150 kg



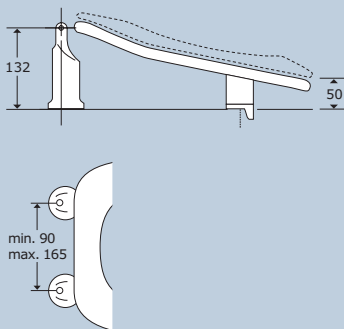
Toilet seat, raised 50 mm	
Dania, 50 mm, without cover	<b>R23000</b>
Dania, 50 mm, with cover	<b>R33000</b>
Ergosit, 50 mm, without cover	
	<b>R19000</b>
Splash guard ordered separately T9516	



Toilet seat, raised 100 mm	
Dania, 100 mm, without cover	<b>R24000</b>
Dania, 100 mm, with cover	<b>R34000</b>
Dania 100 mm comes with splash guard T9515 .	

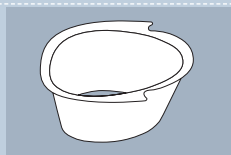


Toilet seat, 50/100 mm slanted	
Dania, 50/100 mm, slanted, without cover	<b>R25000</b>
Dania, 50/100 mm, slanted, without cover	<b>R35000</b>



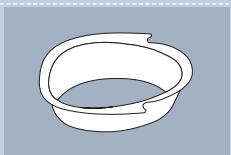
Supplementary products for toilet seats

**T9515**



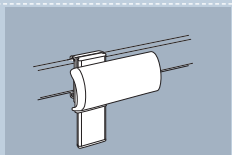
Splash guard, 100 mm:  
Matt transparent plastic.  
Easy to take off for  
cleaning.

**T9516**



Splash guard, 50 mm:  
Matt transparent plastic.  
Easy to take off for  
cleaning.

**R6533xxx**



Backrest: or toilet with  
700 mm from wall to front,  
when the cistern is  
elevated on the wall or  
built into the wall.  
See page 49.

□ 000 White