

Shower chair 410

With its many variations – backrest, armrests, seats with apertures and so on – the shower chair is a good example of the great flexibility of the Pressalit Care system. The chair can be adjusted according to the exact requirements of the individual user or user situation. This makes showering an experience that is both safe and comfortable.

Electric motor

Adjustment for sideways or standing transfers and powered raising or lowering at the push of a button.

The armrests' oval shape gives an easy and comfortable surface to lean and push against.

The chair can easily be adjusted upwards to a good working height for the carer while the user sits in the chair.

Soft and slip-resistant material that feels warm.

The seat is available with drainage channels or an aperture that make intimate hygiene easier.

The heights of the seat and the backrest can be adjusted separately.

Manual

Soft and slip-resistant material that has a warm feel.

The armrests' oval shape gives an easy and comfortable surface to lean and push against.

The seat is available with drainage channels or an aperture that make intimate hygiene easier.

The heights of the seat and the backrest can be adjusted separately.

The height can be adjusted up to 340 mm.

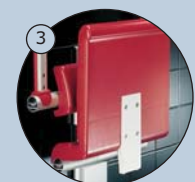
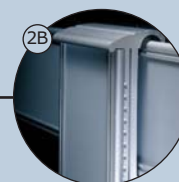
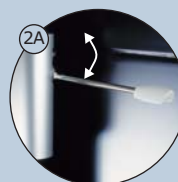
When folded up, the seat and armrests take up minimal space. This gives more freedom of movement – for the benefit of both the user and carer.

The motor gives 500 mm of height adjustment within a range 620 mm.



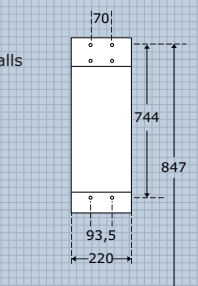
Operation

- ① Electric with remote control: The height of the shower chair can be adjusted automatically by the push of a button. The remote control device can be hooked on the armrest or wall track. It comes with a wall attachment.
- ② Manual: The lever lock behind the backrest or seat is lifted at the same time as the backrest or seat until there is an audible click. The height of backrest or seat can now be set. When the lever is released, the lock will automatically engage and the chair is ready to use.
- ③ Folding: The seat folds up easily with the help of a counterbalanced action to an upright position, from which it is easily pulled down.



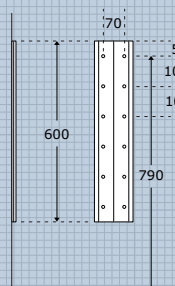
Mounting: Electric motor for height adjustment

Mounting kit for solid walls is included.



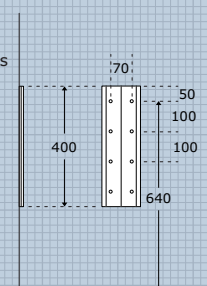
Mounting: Manual vertical track

Mounting kit for the wall needs to be ordered separately. See page 11.



Mounting: Shower chair vertical track

Mounting kit for the wall needs to be ordered separately. See page 11.



Materials: Aluminium, polyurethane foam with marine ply core, plastics

Maximum weight: 150 kg

Instructions for mounting products onto different wall types can be downloaded from www.pressalitcare.com

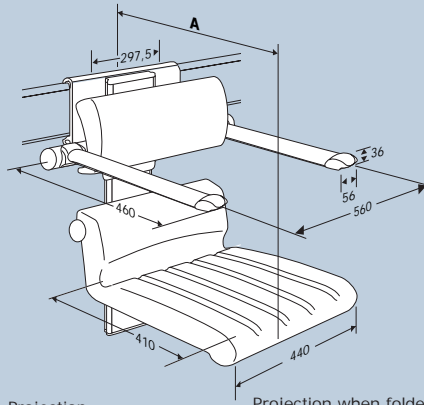
Distributed in Australia by Caredesign phone 1300 798 744

For mounting on horizontal wall track

- 330 mm adj. seat with backrest, armrests R7566xxx +
- 330 mm adj. seat with aperture, backrest, armrests R7568xxx +
- 330 mm adj. seat with backrest R7565xxx +
- 330 mm adj. seat with aperture, backrest R7567xxx +

When it is mounted on a horizontal track at the recommended height (823 mm), the shower chair's height can be adjusted as follows: electric: 250-870 mm; manual: 332-662 mm – measured from the floor to the top edge of the seat.

For placement of electrical installation, see page 55.



A Projection:
Manual: 590 mm
Electric: 707 mm

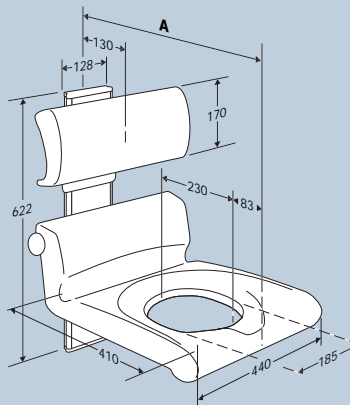
Projection when folded:
Manual: 250 mm
Electric: 367 mm



Height adj. and mounting on vertical wall track

- 340 mm adj. seat with backrest, armrests R7166xxx -
- 340 mm adj. seat with aperture, backrest, armrests R7168xxx -
- 340 mm adj. seat with backrest R7165xxx -
- 340 mm adj. seat with aperture, backrest R7167xxx -
- Seat without vertical track R9700xxx -
- Seat with aperture and without vertical track R9701xxx -
- Backrest without vertical track R9600xxx -
- Backrest with armrests and without vertical track R9601xxx -

When it is mounted at the recommended height 850 mm the shower chair's height can be adjusted as follows: electric: 290-910 mm; manual: 377-715 mm – measured from the floor to the top edge of the seat.
For placement of electrical installation, see page 55.



A Projection:
Manual: 555 mm
Electric: 675 mm

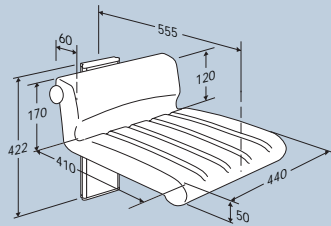
Projection when folded:
Manual: 208 mm
Electric: 328 mm



Seat on vertical track

- Shower chair 250 mm, adj. height seat R7142xxx -
- Shower chair 250 mm, adj. height seat with aperture R7143xxx -

When it is mounted at the recommended height (640 mm), the shower chair's height can be adjusted from 370 to 620 mm – measured from the floor to the top edge of the seat.



Projection when folded: 208 mm



Accessories for shower chair

RT801xxx	R9310000	R9310	RT650	LA8855	R3548xxx
Front and back support: For optimum sitting position. See page 49.	Shower curtain: A curtain rail is mounted directly under any 850 mm support arm with a sliding curtain. 830 x 1000 mm. R9310000: white R9310: patterned	Commode pan holder: Used with seats with aperture. RT650: Commode pan holder LA8855: Commode pan	Support arm: For frontal standing transfer, two support arms are recommended for the extra projection they give. See page 18.		

Rack system:	P. 36
Modular shelves:	P. 38
Shower mixer:	P. 50
Shower mixer bracket:	P. 51
Shower rail with shower head holder:	P. 51
Shower head:	P. 51
Shower curtain rails:	P. 41

- 000 White
- 035 Red RAL3003
- 108 Dark blue RAL5011
- 164 Grey
- 166 Turquoise

Distributed in Australia by Caredesign phone 1300 798 744



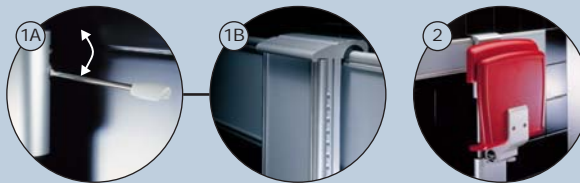
Shower chair 310

A shower chair for children and small adults. The shape and design makes showering a pleasurable, comfortable and safe experience. With its possibilities for expansion – backrest and armrests – the shower chair is a good example of the great flexibility of the Pressalit Care system.



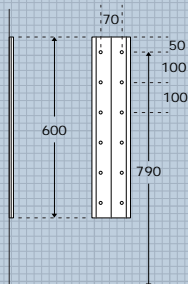
Operation

- ① **Lever lock:** The lever lock behind the backrest or seat is lifted at the same time as the backrest or seat until there is an audible click. The height of backrest or seat can now be set. When the lever is released, the lock will automatically engage in the grooved track.
- ② **Folding:** When folded up, the seat and armrests take up a minimum of space. This gives more space in the bathroom – for the benefit of both the user and carer.



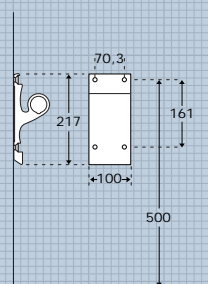
Mounting: Vertical track

Mounting kit for the wall needs to be ordered separately. See page 11.



Mounting: Fixed height

Mounting kit for solid walls is included.



Materials: Aluminium, polyurethane foam with marine ply core, plastics, two-component plastic

Maximum weight: 150 kg

Instructions for mounting products onto different wall types can be downloaded from www.pressalitcare.com

Distributed in Australia by Caredesign phone 1300 798 744

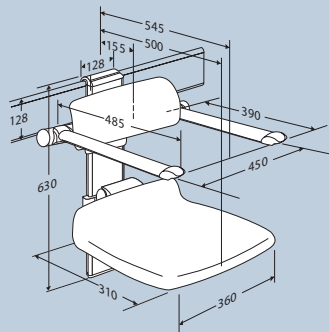


For mounting on horizontal wall track

330 mm adj. height seat with backrest, armrests **R7551xxx** +

330 mm adj. height seat with backrest **R7550xxx** +

When it is mounted on horizontal track at the recommended height (823 mm), the shower chair's height can be adjusted from 350 to 680 mm – measured from the floor to the top edge of the seat.



Projection when folded: 210 mm



For mounting on vertical wall track

340 mm adj. height seat with backrest, armrests **R7151xxx** -

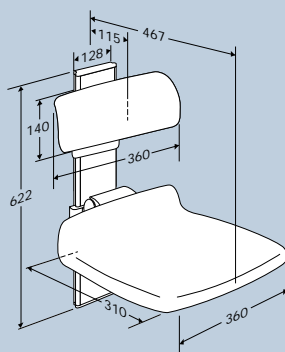
340 mm adj. height seat with backrest **R7150xxx** -

Seat without vertical track **R9705xxx** -

Backrest without vertical track **R9605xxx** -

Backrest with armrests and without vertical track **R9606xxx** -

When it is mounted at the recommended height (790 mm), the shower chair's height can be adjusted from 350 to 690 mm – measured from the floor to the top edge of the seat.



Projection when folded: 175 mm

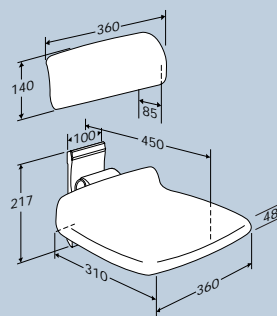


Fixed-height

Backrest 360 mm **R6010xxx** ●

Shower seat **R7010xxx** ●

When it is mounted at the recommended height (500 mm), the shower seat's height will be 400 mm – measured from the floor to the top edge of the seat.

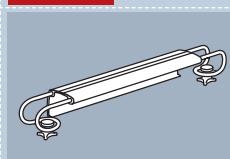


Projection when folded: 160 mm



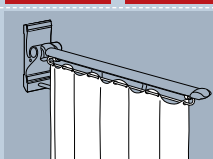
Accessories for shower chair

RT800xxx



Front and back support:
For optimum sitting position. See page 49.

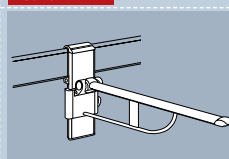
R9310000



Shower curtain: A curtain rail is mounted directly under any 850 mm support arm with a sliding curtain. 830 x 1000 mm.
R9310000: white
R9310: patterned

R9310

R3546xxx



Support arm: For frontal standing transfer, two support arms are recommended for the extra projection they give. See page 18.

Rack system:	P. 36
Modular shelves:	P. 38
Shower mixer:	P. 50
Shower mixer bracket:	P. 51
Shower rail with shower head holder:	P. 51
Shower head:	P. 51
Shower curtain rails:	P. 41

- 000 White
- 035 Red RAL3003
- 108 Dark blue RAL5011
- 164 Grey
- 166 Turquoise

Distributed in Australia by Caredesign phone 1300 798 744

