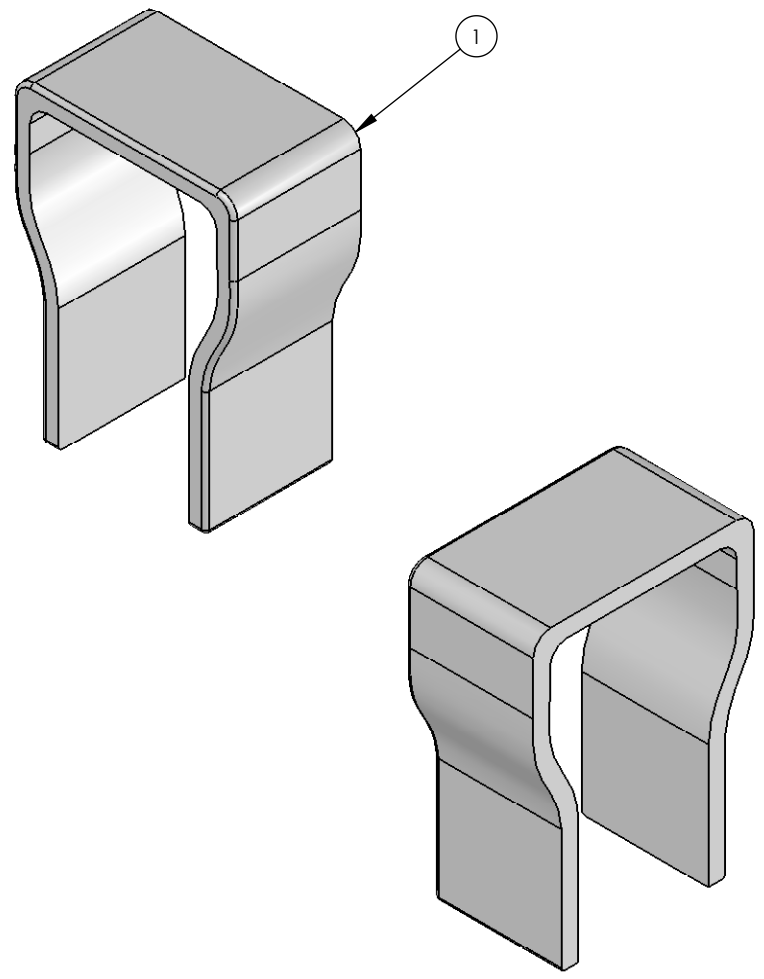
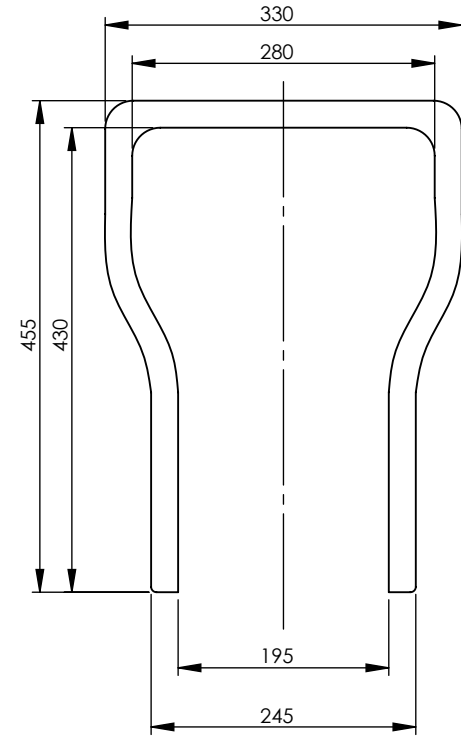
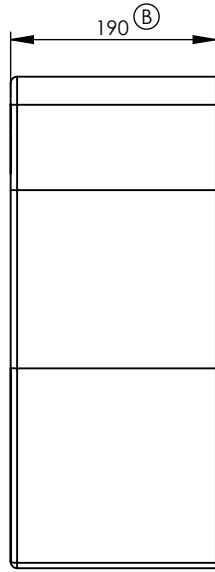


| ITEM NO. | PART NUMBER | DESCRIPTION                           | QTY. |
|----------|-------------|---------------------------------------|------|
| 1        | 573100      | DISABLED TOILET INFILL - CARE PRODUCT | 1    |



| REV | DATE     | CN | AMMENDMENTS     | MODIFIED BY |
|-----|----------|----|-----------------|-------------|
| A   | 06/05/08 |    | FIRST ISSUE     |             |
| B   | 31/07/08 |    | 190 WAS 205 (B) | SM          |
|     |          |    |                 |             |
|     |          |    |                 |             |
|     |          |    |                 |             |

**GENERAL NOTES:**  
 REMOVE ALL BURRS AND SHARP EDGES UNLESS OTHERWISE STATED  
 DIMENSIONS ARE IN mm's

**TOLERANCE EXCEPT WHERE STATED:**

NO DECIMAL POINT     $\pm 0.2$   
 ONE DECIMAL PLACE     $\pm 0.1$   
 TWO DECIMAL PLACES     $\pm 0.05$   
 ANGLES     $\pm 1$

ENWARE RESERVES THE RIGHT TO AMEND PRODUCT SPECIFICATIONS AND DESIGNS WITHOUT NOTICE.

|   |    |  |   |
|---|----|--|---|
| DRAWN   | SM | 9 Endeavour Rd,<br>Caringbah, NSW, 2229<br>Ph. 61-2-9525-9511<br>Fax. 61-2-9524-8421 | <b>caredesign</b><br>specialist interiors |
| CHECKED   |    |  |   |
| APPROVED  | KN |  |   |
| TITLE: <b>DISABLED TOILET PAN INFILL</b>  |    |  |   |
| Scale: Not To Scale   |    | Scale: Not To Scale  |   |
| MATERIAL:   |    |  |   |
| FINISH:   |    |  |   |
| This drawing is the Copyright of Enware Australia Pty Ltd and may not be reproduced in full or part without the written consent of Enware Australia Pty Ltd |    | DWG NO.<br><b>CD205</b>  | SHEET 1 OF 1                              |