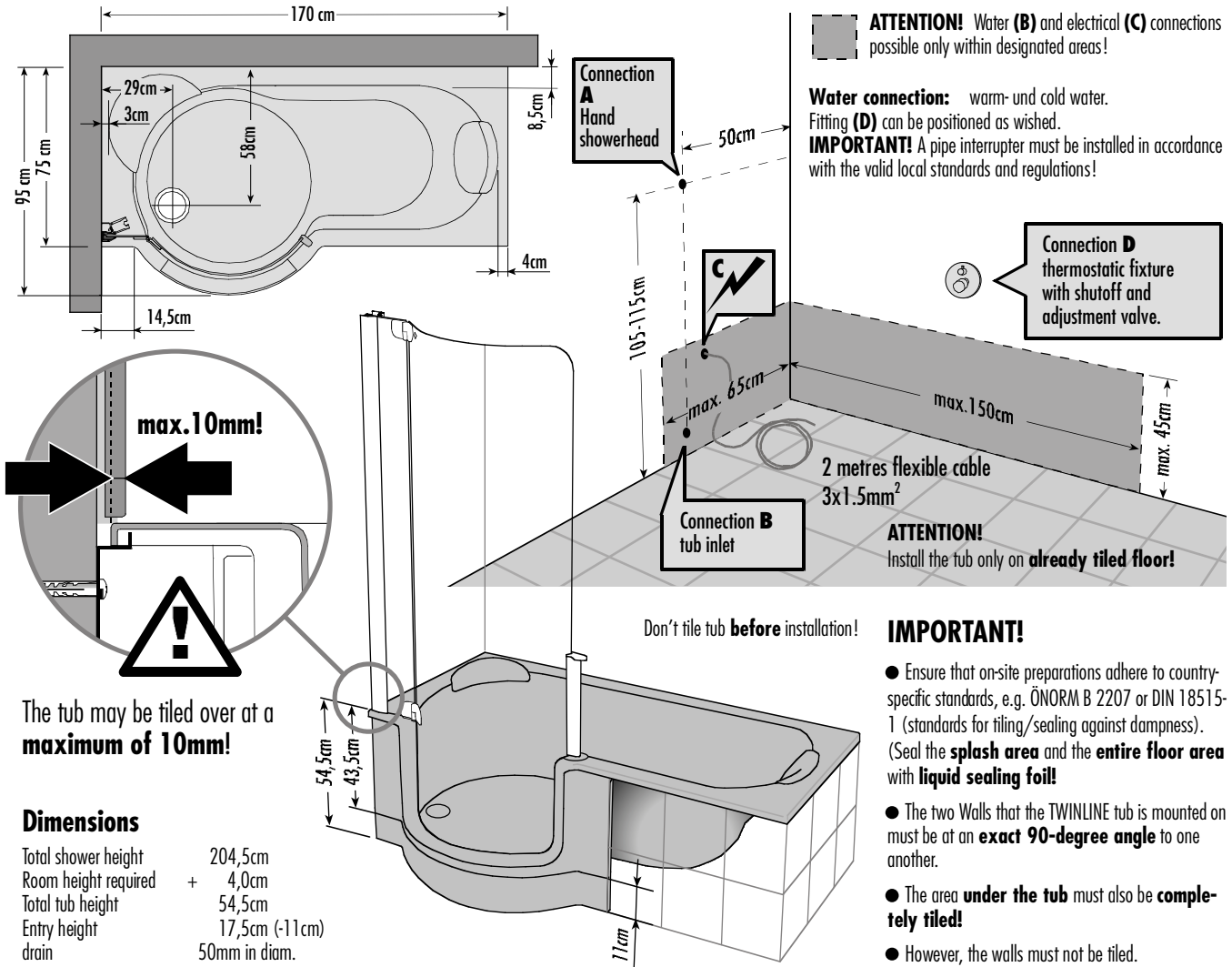


Installation on completed floor



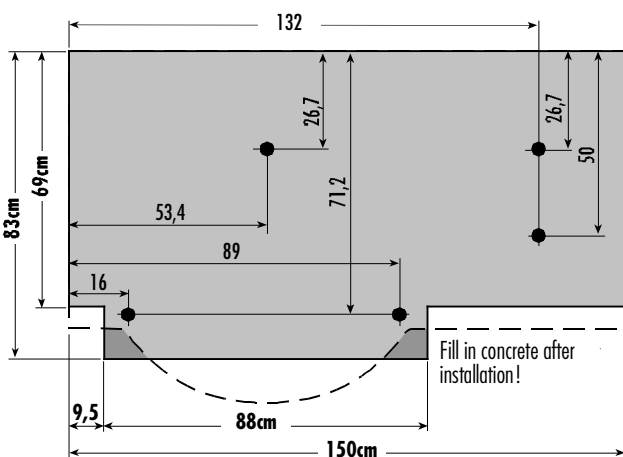
The tub may be tiled over at a maximum of 10mm!

Dimensions

Total shower height	204,5cm
Room height required	+ 4,0cm
Total tub height	54,5cm
Entry height	17,5cm (-11cm)
drain	50mm in diam.

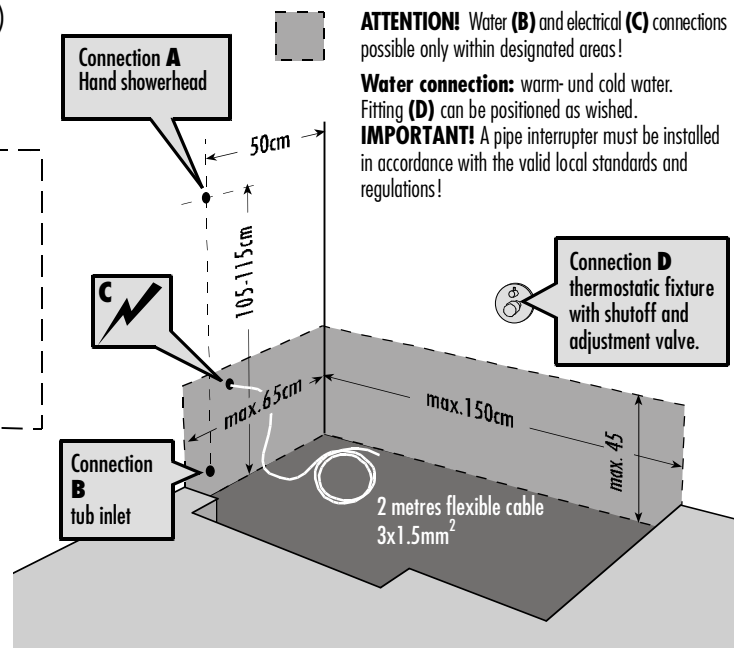
Installation on raw concrete (casing dimensions)

The tub can be set exactly 11 cm lower!

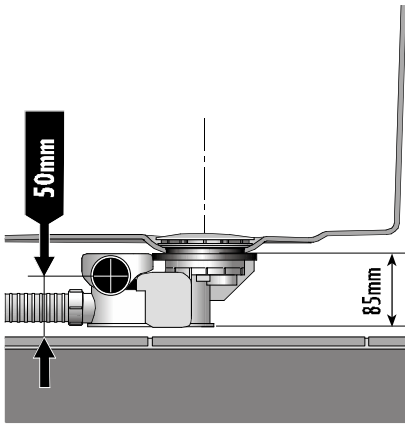


IMPORTANT! The dimensions of the casing must be observed exactly! (All dimensions in cm!)

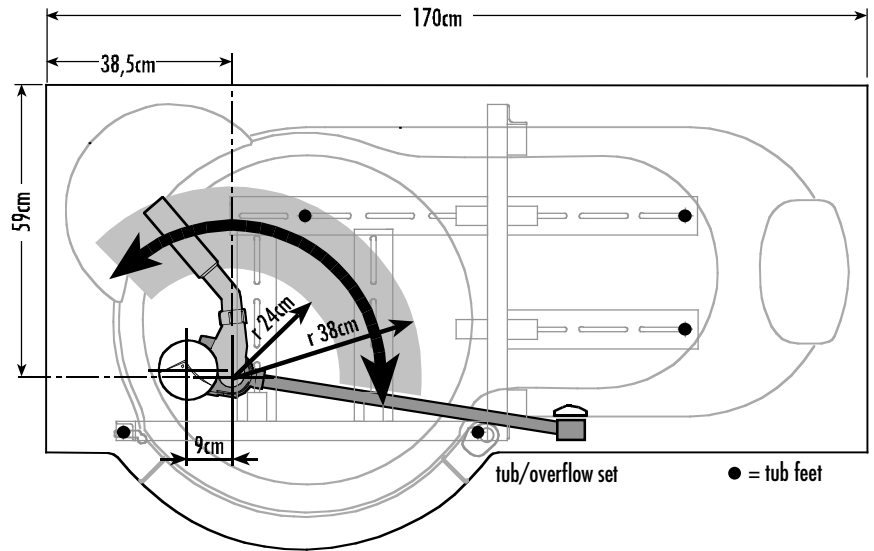
● = tub feet 35 mm in diam.



Height of odour-trap connection



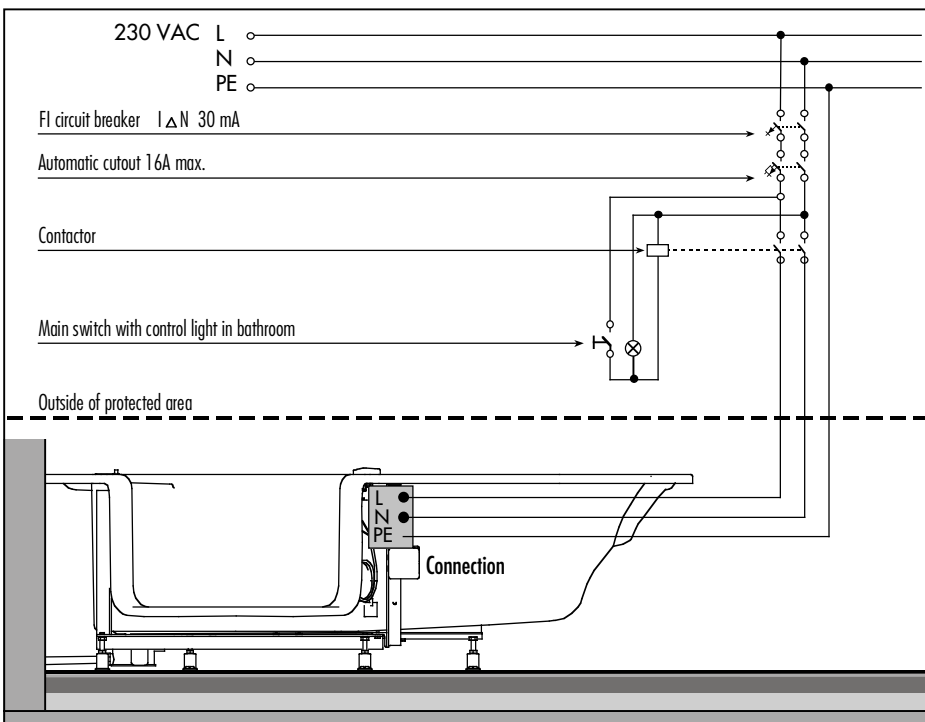
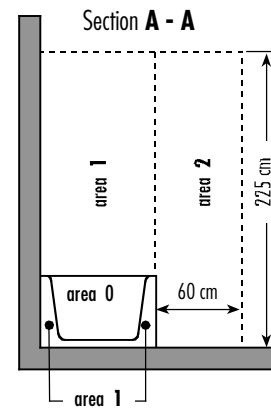
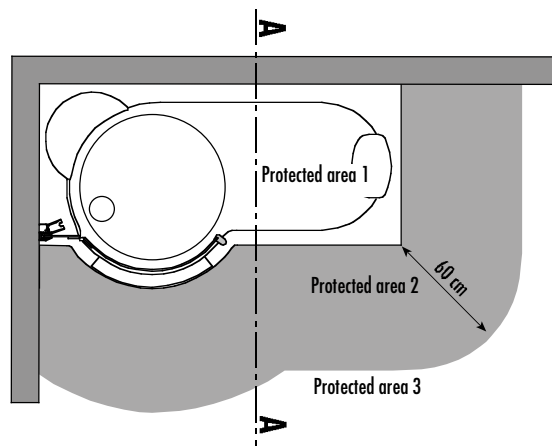
Odour-trap installation area



Protected areas

For your personal safety, the protected areas must be adhered to exactly.

Protected area 2:
(Height 225 cm) No switches or power outlets allowed!



Notes on electrical installation (connection C)

Conduit from above (diameter at least 20 mm, laid at least 5 cm deep). The wiring must be installed over a bipolar switch that is at least in protected zone 3! (VDE 0100-701 or ÖVE-EN 1, part 4, § 49).
Fuse switch RCD $I_{\Delta n} \leq 30$ mA.
Electrical supply 230V ~

Observe current regulations for potential equalisation!

ATTENTION!

The electrical installation may only be carried out by a certified professional observing the standards for protected areas in bathrooms (VDE 0100-701 or ÖVE-EN 1, part 4, § 49).